

Vigilon Compact Voice



Vigilon Compact Voice is the new integrated fire detection, voice alarm and public address system from Gent – an innovation that combines the analogue fire detection and alarm functionality of Gent’s proven Vigilon Compact system with the very latest voice alarm and public address (VA/PA) technology.

Life safety first

- The Vigilon Compact Voice system delivers clear, intelligible voice alarm messages
- Vigilon Compact Analogue Addressable fire detection and alarm technology ensures reliable and constant life safety protection for both people and property

Increased operational efficiency

- Routine paging functionality provides an effective public address system
- An on board emergency microphone is fitted into the control panel

Improved building comfort

- Enhances environments with CD quality background music around the building as required

Saves money

- A single fire and VA/PA installation
- Reduces cabling costs

Vigilon Compact Voice an industry first

Vigilon Compact Voice is ideal for small to medium applications requiring fire detection together with a compact VA/PA system. It is an integrated fire detection, voice and public address system that meets the requirements of EN54 and BS5839:part 8. The system comprises of an integrated analogue addressable fire control panel driving one or two loops of fire detection and alarm devices and a number of loop powered DAUs. The distributed amplifiers are connected to and powered from the analogue fire loops as required. A separate fault tolerant audio loop carries the live announcements for emergency situations and public address. The control panel has a built in emergency microphone and is able to accept inputs from a PA paging microphone and a background music source, e.g CD player.

Life Safety First

- Research* shows only 13% of people react to bells, whilst 70% react to a voice message
- Speedier response to emergencies with clear emergency information
- Orderly phased evacuation in the event of fire or other hazards through loudspeaker messages in relevant zones
- Live emergency messages relayed via the panel's built in microphone

System Integrity

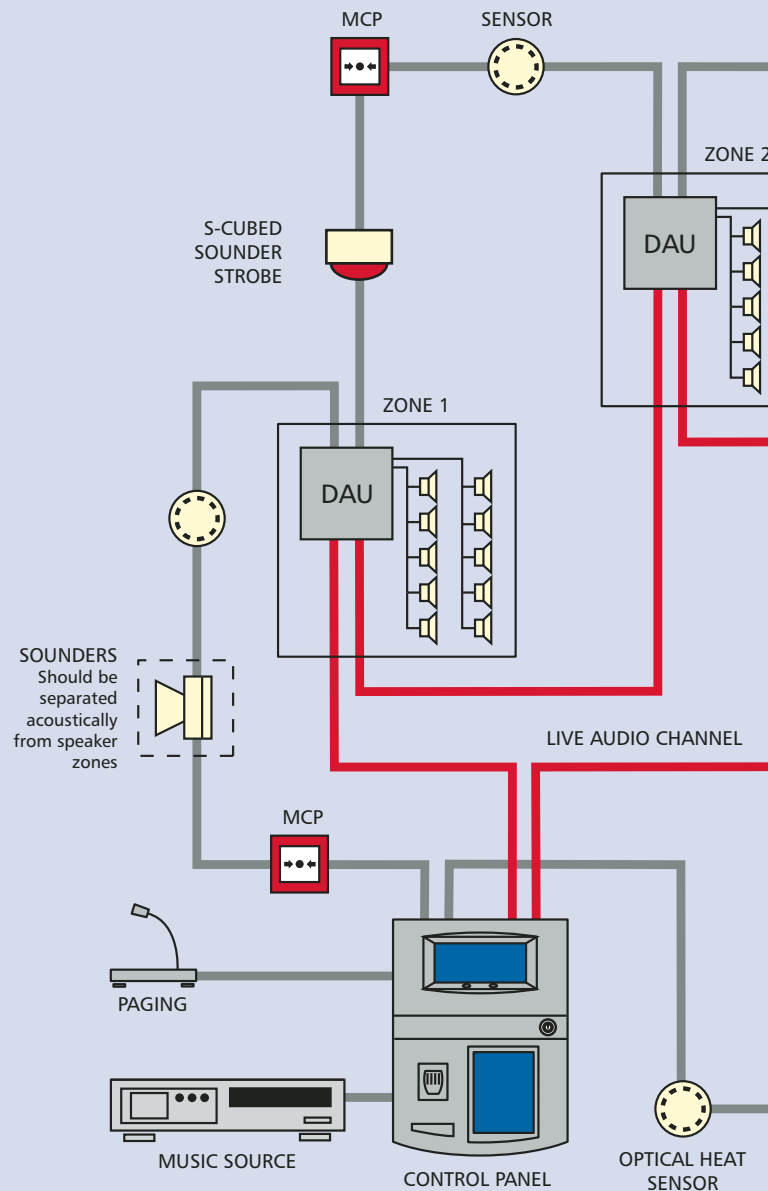
- Proven Vigilon fire detection technology
- Control and Indicating Equipment (CIE) designed to EN54 part 2 and 4 and BS5839 part 8
- All devices powered directly from same two wires including the DAUs
- Only one panel required to control both fire and voice
- Smallest DAU available in the marketplace
- Delivers highest levels of system integrity and clear, high quality sound

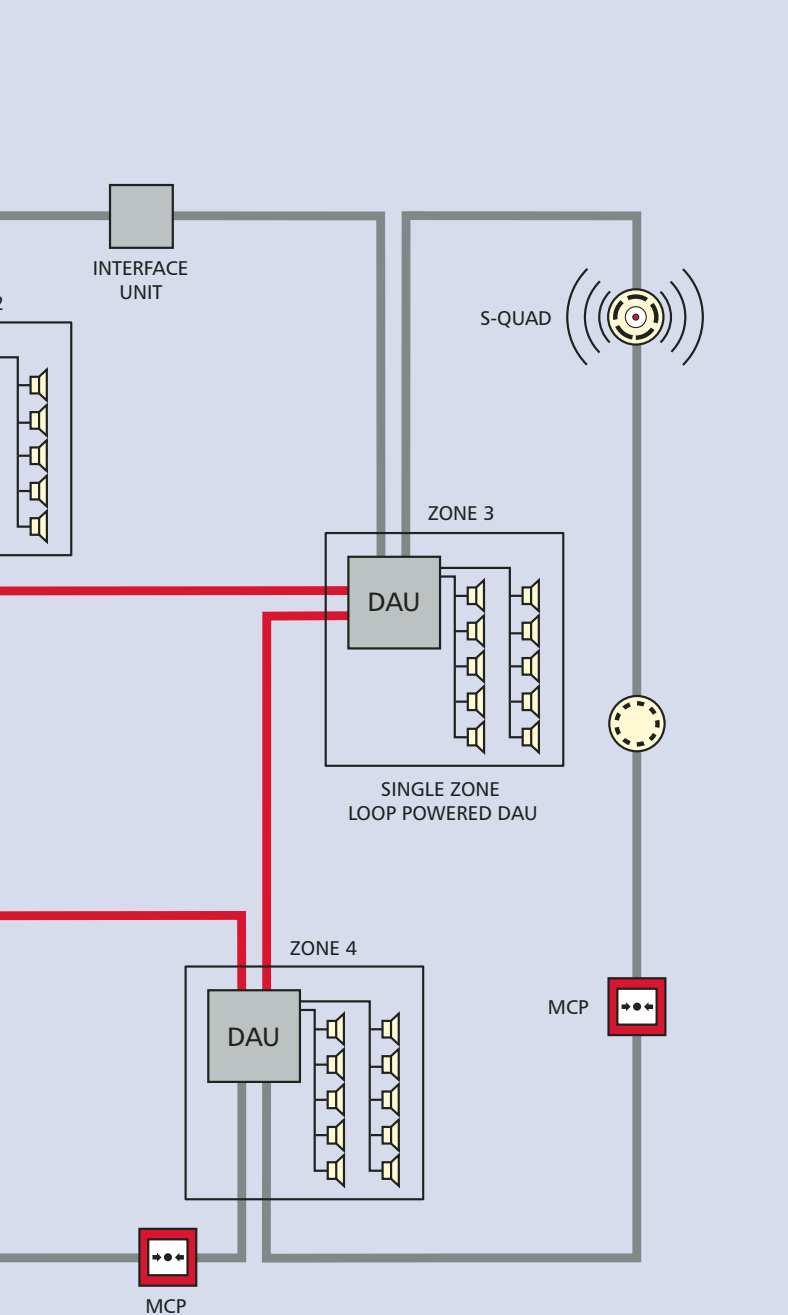
Fire and VA/PA System... at no extra cost!

- Paging capability
- Plays music in selected areas
- Provides emergency and non emergency messages
- Operates during mains failure
- Live message facility, routine paging announcements and advertising background music enhances all environments

* Sources: Brian Piggot (The Fire Research Station) and David Canter (Surrey University)

TYPICAL SYSTEM ARCHITECTURE





Highly Flexible System

- Integral keyboard on control panel
- Easy to increase the number of DAUs up to a maximum of 5 DAU's per loop / 50 speakers
- Fire and Voice Alarm controls in the same panel
- Flexible message changes from standard audio pack
- Easy on-site adjustments eliminates the need to alter speaker tappings, saving time and cost

Lower Maintenance Costs

- One system to maintain
- Comprehensive fault monitoring reduces time to locate faults
- Testing can be carried out by one person
- Competitive maintenance costs
- Standard technology (no specials required)

Reduced False Alarms

- Vigilon Compact Voice incorporates the latest S-Quad sensor technology to detect real fires quickly whilst minimising the risk of false alarms
- Compact panel has an algorithmic memory of known fires and faults
- All sensors monitor background environments and report changes over various time intervals

Installation Savings

- Standard off the shelf system
- Affordable for small to medium sized sites
- DAUs distributed around the detection loop minimises the amount of wiring
- Commissioning in one easy stage

Vigilon Compact Voice system features

DISPLAY KEYBOARD WITH
LED/LCD INDICATORS

8 LINE / 40 CHARACTER
LCD DISPLAY

LED ZONAL DISPLAY
secret until lit

FUNCTION KEYS

PRE-RECORDED
MESSAGES
SELECTABLE FROM
THE AUDIO PACK

BUILT IN VU METER

AUDIO CONTROL PANEL
WITH EMERGENCY AND
AUXILIARY CONTROLS

INTEGRAL EMERGENCY
MICROPHONE

FEATURES

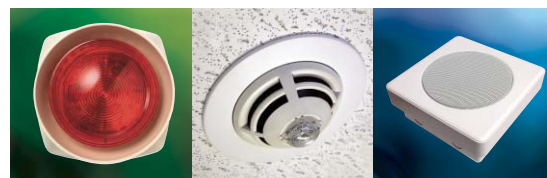
- Each loop powered DAU can drive up to ten loudspeakers wired as A + B circuits – 5 per circuit
- DAUs can be 'zoned' in software and isolators in every DAU protect against short circuits
- Speakers are individually monitored, including the wiring
- Volume level can be set via commissioning tool or by infra-red remote control key fob
- Integral power supply and battery backup
- Comprehensive fault management
- Built-in history log stores the last 200 events, which can be accessed via the integral keyboard and printed via an external printer
- External audio input facilities for PA and background music
- Configurable relay output at the DAU
- Two detection loops with up to 10 DAUs driving a maximum of 100 speakers

Audio Pack 1

Audio Pack – messages and pre-tones. The message card fitted in the Vigilon Compact Voice alarm panel and also in the Distributed Amplifier Units contains an Audio Pack of messages and tones. All factory supplied Vigilon Compact Voice alarm panels and DAUs are fitted with message cards containing Audio Pack 1. During commissioning it is possible to re-configure this by selecting alternative centralised and distributed messages and pre tones for Alert, Evacuate, Bomb and Auxiliary 1, 2 and 3 controls.

NUMBER	TYPE OF MESSAGE	VOICE	MESSAGE
1	DAU Test	Male	The voice alarm volumes are being adjusted – there is no need to take any action.
2	Alert (default – Emergency 1)	Female	Your attention please, the fire alarm has been activated in another area, please remain where you are and await further instructions.
3	Evacuate (default – Emergency 2)	Male	Attention please, attention please, this is an emergency. Please leave the building by the nearest available exit. Do not use the lifts or escalators.
4	Bomb (default – Emergency 3)	Female	May I have your attention please, an incident has been reported in the area. As a precaution, please move away from the windows. I repeat, please move away from all windows, further information will follow shortly.
5	Alert (alternative)	Female	May I have your attention please, may I have your attention please, an incident has been reported in the building. While this report is being investigated, please remain at your workplace.
6	Evacuate (alternative)	Male	Ladies and gentlemen, due to unforeseen circumstances we are required to evacuate the building. Please leave the building immediately by the nearest available exit.
7	Gas Carbon Monoxide	Male	May I have your attention please, may I have your attention please, excessive carbon monoxide levels have been detected, please leave the area immediately by the nearest available exit.
8	Gas Fixed Extinguishant	Male	May I have your attention please, may I have your attention please, extinguishant gas release imminent, please evacuate the area immediately by the nearest available exit.
9	Fire alarm test (default – Auxiliary 1)	Female	Attention please, attention please, this is a test of the fire and voice alarm system, there is no need to take any action.
10	Fire alarm test end (default – Auxiliary 2)	Female	The test of the fire and voice alarm system has now been completed.
11	Coded message	Female	Would Mr. Sands please report to reception.
12	Class change	Female	Class change.
13	Gent Limited (advertisement)	Female	Ladies and gentlemen this speech message is produced by Gent Limited’s Vigilon Compact Voice alarm system. This product integrates voice alarm functions into an analogue fire alarm system ideal for small to medium sized buildings.
14	Stand down (default – Auxiliary 3)	Female	May I have your attention please, the cause of the alarm has been investigated and the system reset. There is no cause for concern. Thank you.
15	Special tone 1	–	Beep beep beep (950Hz 80ms beep every 420ms)
16	Special tone 2	–	Beep beep beep (950Hz 50ms beep every 80ms)
17	Factory test	–	Frequency sweep (300Hz to 10KHz in 3s)
18	Nursery rhyme 1	Tune	‘Boys and Girls Come Out to Play’
19	Nursery rhyme 2	Tune	‘Twinkle Twinkle Little Star’

ATTENTION TONE			
NUMBER	DESCRIPTION OF TONE	NUMBER	DESCRIPTION OF TONE
1	Nee Naw x 8	6	Pulse
2	Two tone (ding dong)	7	Continuous
3	Four tones – ascending	8	Dong
4	Four tones – descending	9	Chopin
5	Bell	10	‘Sleigh Bells’



Technical Specification



VIGILON COMPACT VOICE PANEL

SYSTEM COMPONENTS The main components of the system are:

- Vigilon Compact Fire & Voice Alarm Control Unit
- Loop powered Distributed Amplifier Units (DAUs)
- 64 Ohm Impedance Loudspeakers
- PA Microphone (powered from the panel)
- Fire detection system devices – see Vigilon brochure

MAIN FEATURES As standard the system provides:

- Integrated Fire Detection, Voice Alarm, Public Address and Background Music System
- A maximum of 5 x DAUs per detection loop with twin speaker circuits
- A maximum of 5 x 64 Ohm high efficiency loudspeakers per circuit (10 per DAU)
- The broadcast of live emergency speech – selectable from the audio control unit directed to any zone or multiple zones (max 10 zones)
- Manual activation of pre-recorded emergency and non-emergency messages.

FIRE DETECTION, VOICE ALARM AND PUBLIC ADDRESS:

- 2 fire detection loop circuits each supporting up to 200 GENT devices (see Vigilon specification)
- 32 fire detection zones, secret until lit LEDs
- LCD Repeat – via RS485 Port
- Mandatory controls and indications for access levels 1 and 2
- Built in 8-line x 40-character LCD display
- Fire + VA fault and disablement event display with up to 32 character labels
- 5 voice evacuation zones per loop (max 10 zones)
- Selectable messages from standard Audio Pack
- Built-in emergency microphone
- Built in VU meter for background music and microphone levels

PART NUMBER – COMPACT-VA	
Dimensions (WxHxD) mm	506 x 547 x 179
Loop Capacity	Up to 2 loops (200 addressable devices per loop)
Ingress Protection	IP31
Approx Weight	28 Kg including batteries
Operating Temperature	0 – 45°C
Relevant Standards	EN54: pt 2&4, BS 5839 PT8
Batteries	2 x 12V @12AH
Battery Standby	24 hrs + 30 mins alarm
Supply Voltage	216V – 253V 50-Hz
Power Consumption	75W
Cable Entry	Top and rear knock outs
Auxiliary Contacts	Programmable to activate on fire, fault or disablement (1 x SPCO 1 x DPCO)
Common - Fire Contacts	Voltage free 1 x SPCO
Sounder Circuits	2 circuits @250mA each
Monitored Input	1 input which is programmable to perform a logical action via a command build
Colour	Egg shell white (Dupont 7EPZ11725) Back box – Graphite grey (RAL 7024)
Communication Ports	2 x RS485, 1 x RS232 selectable functions

Technical Specification



LOOP POWERED DAU

LOOP POWERED DISTRIBUTED AMPLIFIER UNITS

- Up to 5 DAUs per loop circuit driving up to 50 loudspeakers per loop
- Each DAU can drive up to 10 high efficiency loudspeakers
- Speakers wired as A + B circuits (5 speakers per circuit)
- The DAUs are wired in a fault tolerant ring configuration
- Isolators in every DAU to protect against short circuits on the analogue audio loop
- Amplifiers can be 'zoned' via the commissioning tool
- Speakers are individually monitored
- Local volume adjustment of voice alarm, PA and background music via IR remote control
- Meets the power amplifier requirements of BS 5839:part 8

LOOP DEVICES

- Compatible with current Vigilon devices and new S-Quad sensor range incorporating Sensor/Sounder/Strobe/Speech technologies
- Vigilon Manual Call Point range – response time less than 1 sec
- Loop powered interfaces
- Mains powered interfaces
- Repeat Mimic Panels
- S-cubed sounder range incorporating Sounder/Speech/Strobe combinations

PART NUMBER – COMPACT-DAU	
Dimensions (WxHxD) mm	245 x 227 x 77
Weight	2Kg
Mounting	Wall
Amplifier Load	2 x 12.8 Ohm, 10V RMS OUTPUT (class D)
Microphone Input Sensitivity	5mV-22mV/10k Ohm (includes AGC)
Aux Input Sensitivity	775mV/600 Ohm (Balanced)
Signal to Noise Ratio	>80dB
Frequency Response	100Hz to 18kHz \pm 3dB
Total Harmonic Distortion	<0.5% @1KHz
Power Supply	Loop powered
Auxiliary Relay	Two configurable voltage free contacts rated 1A @24vdc
LED Indication	Audio status – Audio I/P present/power Circuit A Fault – wiring or AMP fault Circuit B fault – wiring or AMP fault

Technical Specification



WALL LOUDSPEAKER



CEILING LOUDSPEAKER



BI-DIRECTIONAL WALL SPEAKER

LOUD SPEAKERS

- 64 Ohm low impedance loudspeakers
- System supports up to 100 speakers

DESCRIPTION	WALL LOUDSPEAKERS	CEILING LOUDSPEAKERS	BI-DIRECTIONAL WALL SPEAKERS
Part Number	COMPACT CAB	COMPACT RCS	COMPACT BDCAB
Impedance	64 Ohms	64 Ohms	64 Ohms
Material	Steel	Steel including Fire Dome	Steel
Sensitivity	>93dBA @ 1m (1kHz Tone)	>93dBA @1m (1kHz Tone)	>85dBA @1m (1kHz Tone)
Effective Frequency Response	85Hz – 18.5 kHz	85Hz – 18.5kHz	125Hz – 12kHz
Directivity Q factor, 1k Hz	2.1	2.1	0.6
Colour	White	White	White
Mounting	Surface	Flush	Surface
Dimensions (WxHxD) mm	190 x 190 x 75	239 x 110 dia	210 x 130 x 98



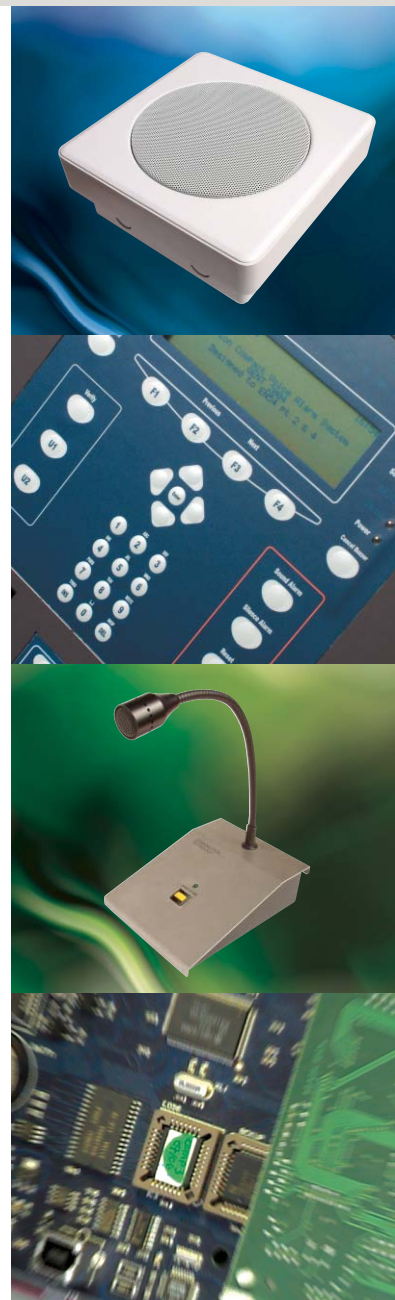
PUBLIC ADDRESS PAGING MICROPHONE

PART NUMBER – DPM-102	
Console	Stainless Steel
Mounting	Surface Desk Mount
Microphone Style	Gooseneck
Polar Response	Cardioid
Frequency Response	150Hz to 12kHz
Power Supply	Powered from control panel
Zone Control	Software programmable
LED Indication	Speak Now

Vigilon Compact Voice

10 REASONS to specify Vigilon Compact Voice

- 1** **An industry first** – combined FDA and VA/PA providing the highest levels of system integrity, with proven Vigilon system, with built-in isolators in all devices
- 2** **Safe evacuation for everyone in the building** – high quality intelligible voice messages reduce confusion and panic
- 3** **Savings on installation costs compared with conventional voice alarm systems** – loop powered DAUs do not require secondary mains or battery supplies and reduce length of speaker circuits.
- 4** **Reliable system compatibility** – proven Vigilon system technology with speakers individually monitored and designed to meet the requirements of BS 5839:part 8.
- 5** **Highly flexible software allows on-site configuration** – additional DAUs can be easily accommodated with flexible message changes selected from the standard Audio Pack.
- 6** **Reduction in on-going costs** – innovative 'off the shelf' technology requiring only one person testing the system, which can also be maintained at standard competitive rates.
- 7** **Free extras** – a fire alarm system offering VA/PA benefits or vice versa.
- 8** **True analogue time comparison sensors for false alarm reduction** – the very latest S-Quad sensors are fully compatible with Vigilon Compact Voice for the ultimate system specification.
- 9** **The reassurance of GENT support** – designed and manufactured by the UK's life safety specialists with unrivalled expertise and technical support capabilities.
- 10** **Fully compliant with relevant industry standards** – GENT are LPCB approved for both systems and products and Vigilon Compact Voice is designed to comply with BS/EN standards.



Vigilon Compact Voice



The Gent 24 nationwide network of approved system integrators consists of 45 specialist companies who can supply Gent equipment and carry out design, installation, commissioning and maintenance operations to the highest standards of workmanship.



Novar Gent offers a direct 'one stop' customer service solution for design, manufacture, installation and commissioning of fire engineering systems for building applications throughout the UK, with maintenance engineers providing service support nationwide.

GENT

Waterside Road Hamilton Industrial Park Leicester LE5 1TN	Tel +44 (0)116 246 2000	Fax +44 (0)116 246 2300
Literature Helpline +44 (0)870 240 1434	E-mail gent_enquiry@gent.co.uk	Web www.gent.co.uk
Registered office: Novar House 24 Queens Road Weybridge Surrey KT13 9UX Registered No. 264047		Literature Ref. NG/VCV/08-04/003

ESSER **TREND**

Novar Intelligent Building Systems offers a uniquely comprehensive range of solutions for specifiers and installers of fire, security, building management, datacoms and electrical installation products and is equipped to provide a single source solution for all your requirements

7.3: VIGILON VOICE ALARM SYSTEM

Distributed Amplifier Unit

GENT

by Honeywell



The Vigilon Voice distributed amplifier unit (DAU) is a self-contained, wall mounted voice alarm system. The unit contains all audio processing, amplification and battery back up elements needed to provide a fully BS 5839-8 compliant system.

The DAU comprises:

- Zonal Power Amplification
- Surveillance
- Routing
- Power Supply and Battery Charger
- Control Interfaces
- Fault Display
- User Interface
- Network Interface
- Vigilon Loop Interface

TECHNICAL SPECIFICATION		
	200W DAU	400W DAU
Audio Amplification	4 50W amplifiers which may be paralleled to achieve 2x100W	4 100W amplifiers which may be paralleled to achieve 2x200W
Emergency microphone interfaces	2 sets of monitored PTT and Speak Now interfaces to support emergency microphone operation on inputs 1 and 2 are provided	
Serial Communications	1 x RS232 and 1 x RS485	
Messages	2 x 66s and 2 x 50s messages	
Approx Weight (Inc batteries)	51Kg	70Kg
Operating Temperature	-5°C to 50°C	
Relevant Standard	BS 5839-8	
Batteries	24 Ah valve regulated SLA	38 Ah valve regulated SLA
Battery Standby	24h +0.5h alarm	
Supply Voltage	230V +10, -6% rms 50Hz AC	
Power Consumption	600VA	800VA
Dimensions (mm)	700h x 510w x 156d	790h x 580w x 204d

Audio Inputs

- General purpose inputs – four inputs are provided. The first two inputs may be used as Fire Microphone inputs. The general-purpose inputs feature a serial interface for connection of Zoned Paging and Fire microphones.
- Two background music inputs are provided.
- Digital Messages – Two 66 second emergency messages and two 50 second Auxiliary Messages are provided.
- Audio Monitor Input – A connection is provided for an audio monitor bus from the amplifier system. This allows for audio monitoring of selected amplifier outputs under the control of the front panel.

ORDER CODES

200W DAU	VA-1321
400W DAU	VA-1322

GENT
by Honeywell

7.3: VIGILON VOICE ALARM SYSTEM

Master Audio Control Unit

The Master ACU takes the form of a wall-mounted box fulfilling the primary function of a Voice Alarm Control Panel.

The ACU features a keypad and LCD display for configuration and fault reporting, and can be supplied either blank, with no further control functions, or with an integral emergency microphone and a number of configurable front panel buttons for zone selection, and 8 push button selectors for DVA broadcasts.

The ACU is able to interface with the Vigilon fire alarm system to facilitate centralised control. It is possible to connect a PC via an RS232 interface for programming of the ACU itself, or any of the attached satellite DAU's.

The ACU will automatically display the status of all connected DAU's by means of the standard Fault LED/ Sounder arrangement and with a cycling display on a local (2x40) LCD.

If the blank version of the Master ACU is supplied, in order to provide the same functionality, an additional Desk Console or wall mounted Emergency microphone can be provided in place of the on-board Keypad.

ORDER CODES

ACU blank with network	VA-1311
ACU with 20 way keyboard and network	VA-1312
ACU Slave with 20 way keyboard	VA-1313
20 Way Expansion Keyboard	VA-1314
20 Way Desk Console and Emergency Microphone	VA-1315



Master Audio Control Unit

TECHNICAL SPECIFICATION	
Capacity	30 DAUs
Messages	2 66 second and 2 50 second digital messages
Approx Weight (Inc batteries)	35Kg
Operating Temperature	-5°C to 50°C
Relevant Standard	BS 5839-8
Batteries	18 Ah Valve Regulated SLA
Battery Standby	24h + 0.5h alarm
Supply Voltage	230V +10%, -6% rms 50Hz AC
Power Consumption	2A at 230V ac 600VA
Dimension (mm)	700h x 510w x 156d

Microphone Inputs and Control panels

The ACU allows up to 4 microphone consoles to be supported with configurable buttons for paging or DVA messages. The microphone consoles buttons may be implemented in a number of ways:

- 1 Modular Microphone panels on the front panel of the ACU.
- 2 Custom Mic Boards to enable customer specific fire Microphone panels to be constructed.
- 3 Standard DMS Microphones for simple paging functions.

Additional Audio inputs

In addition to the four microphone-capable audio inputs, an additional 4 balanced audio inputs are provided. These may be used for background music and similar input sources.

The ACU supports 2 x 66 second emergency messages and 2 x 50 second auxiliary messages.

Audio Outputs

The ACU provides 4 analogue outputs that feed busses on the analogue network. Three channels will be used for the network audio, #1 Emergency Microphone; #2 Evacuate Message; #3 Alert Message.

GENT
by Honeywell

7.3: VIGILON VOICE ALARM SYSTEM

Ceiling Loudspeakers

This family of ceiling loudspeakers has been carefully designed to satisfy the most critical eye. The units are stylish yet unobtrusive and are supplied with a fire-dome.

The units are made from a pressed steel epoxy coated chassis incorporating a twin cone driver, which has a wider frequency range than the standard single cone alternative, making this range more suitable for use in applications where background music is a primary requirement.

Ease of installation is a key feature of these units, incorporating a user-friendly spring release action providing quick and easy access to transformer tapings once installed



Ceiling Loudspeakers

TECHNICAL SPECIFICATION			
	5" 6W Round Loudspeaker	6" 6W Round Loudspeaker	20W Coaxial Loudspeaker
Rated power, watts	6	6	20
Transformer tapings 100 volt line, Watts	6/ 3/ 1.5/ 0.75/ 0.25	6/ 3/ 1.5/ 0.75/ 0.25	20/ 10/ 5/ 2.5
Transformer Impedance, Ohms	1.67k/ 3.33k/ 6.66k/ 13.3k/ 39.9k	1.67k/ 3.33k/ 6.66k/ 13.3k/ 39.9k	0.5k/ 1k/ 2k/ 4k
70.7 volt line, Watts	3/ 1.5/ 0.75/ 0.375/ 0.125	3/ 1.5/ 0.75/ 0.375/ 0.125	10/ 5/ 2.5/ 1.25
Driver impedance, Ohms	8	8	8
Effective frequency range, Hz	100 – 17,500	85-18500	50-2000
S.P.L. @ 1m, 1 watt, dB, Test Signal Bandwidth 100Hz-10 kHz	92	93	94
S.P.L. @ Full power Octave bandwidth, dB	95	97	107
Acoustic Power (dB-PWL@1 watt) 1KHz/2KHz, dB	92/93	88/90	88/89
Dispersion at 1KHz/2KHz,	180/120	180/180	160/90
Directivity Q factor, 1KHz/2KHz	1.9/6.6	2.1/6.5	5.5/8.6
Dimensions Diameter, mm	189	239	280
Net weight, Kg	1.5	1.90	2.93
Colour / Finish	White RAL9016	White RAL9016	White RAL9016
Material	Steel	Steel	Steel
Mounting	Torsion Springs	Torsion Spring	Torsion Springs

ORDER CODES

5" 6W Round Metal Ceiling Loudspeaker	13421-12-DC
6" 6W Round Metal Ceiling Loudspeaker	13421-14-DC
20W Coaxial Round Metal Ceiling Loudspeaker	13421-17-DC
5" 10W Coaxial Round Metal Ceiling Loudspeaker	13421-15-DC
6" 10W Coaxial Round Metal Ceiling Loudspeaker	13421-16-DC

Coaxial Range

The Coaxial range of ceiling loudspeakers employs a two-way speaker system comprising a bass mid-range driver and separate tweeter. The bass response has been extended to give depth and warmth to both music and vocals.

This range of Coaxial ceiling loudspeakers has all the aesthetic and installation advantages of our standard ceiling loudspeakers, with the addition of extended bass and top end performance. These units are ideally suited for applications that require a superior high quality performance such as shops, restaurants, hotels, pubs etc.

7.3: VIGILON VOICE ALARM SYSTEM

Cabinet Loudspeakers

GENT

by Honeywell



Moulded Cabinet Speaker

Our range of plastic moulded cabinet loudspeakers is both stylish and elegant, and offers a cost effective alternative to metal cabinets.

This 6 watt unit contains dual cone loudspeakers offering a wide frequency range suitable for both high quality speech and music application. This model is also available as a 10 watt co-axial unit and both versions incorporate ceramic terminal blocks and thermal fuses for compliance with BS 5839 Pt 8.

Our range of vandal-proof metal cabinet loudspeakers is constructed of high-grade steel, epoxy coated and can be installed on solid ceilings or walls. Although our standard finish is White, RAL9016, alternative finishes are available dependent upon your requirement.

TECHNICAL SPECIFICATION		
	Cabinet Speaker	Vandal-proof Cabinet Speaker
Rated power, watts	6	6
Transformer tapings 100 volt line, Watts	6/ 3/ 1.5/ 0.75/ 0.25	6 /3 /1.5 /0.75
Transformer Impedance, Ohms	1.67k/ 3.33k/ 6.66k/ 13.3k/ 39.9k	1.67K /3.33K /6.66K /13.3K
70.7 volt line, Watts	3/ 1.5/ 0.75/ 0.375/ 0.125	3 /1.5 /0.75 /0.375
Driver impedance, Ohms	8	8
Effective frequency range, Hz	160 – 18000	120 - 20,000
S.P.L. @ 1m, 1 watt, dB, Test Signal Bandwidth 100Hz-10 kHz	96	93
S.P.L. @ Full power Octave bandwidth, dB	107	101
Acoustic Power (dB-PWL@1 watt) 1KHz/2KHz, dB	94/95	
Dispersion at 1KHz/2KHz,	160/120	140
Directivity Q factor, 1KHz/2KHz	3.6/5.8	2.90
Dimensions Diameter, mm	330 x 240 x 90	190 x 190 x 75
Net weight, Kg	1.15	1.8
Colour / Finish	White	White, RAL9010
Material	ABS moulding with UV inhibitors	
Steel mesh	Steel	
Mounting	Keyhole and/or screws	Screw

ORDER CODES

6W Moulded Cabinet Speaker 13421-18-DC

Vandal-proof 6W Metal Cabinet Speaker 13421-21-DC

Flush Mounted Vandal-proof 6W Metal Cabinet Speaker 13421-25-DC

Bi-directional Vandal-proof 6W Metal Cabinet Speaker 13421-30-DC

GENT

by Honeywell

7.3: VIGILON VOICE ALARM SYSTEM

Weatherproof Speakers

Weatherproof Plastic Horns

This range of lightweight plastic weatherproof re-entrant horns has been designed for high quality sound re-enforcement. Offering clarity of speech and high efficiency these horns are suitable for communications or signal warnings.

Resistant to salt-laden air and non-corrosive, they are suitable for use indoors and out. They are ideal for marine and industrial applications as they are unaffected by most chemicals.

Weatherproof Sound Projectors

This range of weatherproof Sound Projectors offers a combination of style and performance. Manufactured from an ABS moulded compound with in-built UVL (ultra violet light) protection. The drive unit is a high quality, dual polypropylene cone.

Both units are supplied in the same stylish and compact enclosure, ideally suited for both speech and music reproduction. These units have the added advantage of being fully weatherproof and are ideal for use on railways, in car parks, shopping centres, sports grounds.



Weatherproof Plastic Horns

TECHNICAL SPECIFICATIONS				
	10W Weatherproof Horn	20W Weatherproof Horn	10W Weatherproof Projector	20W Weatherproof Projector
Rated power, Watts	10	20	10	20
Transformer tapings 100 volt line, Watts	10 /5 /2.5 /1.25	20/ 10 /5 /2.5	10/ 5/ 2.5/ 1.25	20/ 10/ 5/ 2.5
Transformer Impedance , Ohms	1K /2K /4K /8K	500/ 1K /2K /4K	1k/ 2k/ 4k/ 8k	0.5k/ 1k/ 2k/ 4k c
70.7 volt line, Watts	5 /2.5 /1.25 /0.625	10/ 5 /2.5 /1.25	5/ 2.5/ 1.25/ 0.375	10/ 5/ 2.5/ 1.25
Driver impedance, Ohms	20 or 8	20 or 8	8	8
Effective frequency range, Hz	400 - 8,000	350 - 8,000	120 - 18,000	110 - 18,000
S.P.L. ,@ 1m, 1watt, dB	106	108	91	92
S.P.L. ,@Full power/ 1m, dB	116	121	102	105
Dispersion at 1,000 Hz, Degrees	160	140	160	165
Directivity Q factor, 1k Hz	2.37	2.90	2.37	2.28
Dimensions front and depth, mm	f139 x 200	F203 x 254	f138 x 200	f138 x 200
Net weight, Kg	1.30	1.90	1.55	1.90
Colour / Finish	Cold grey	Cold grey	White	White
Material	ABS plastic housing	ABS plastic housing	Plastic & Stainless steel hardware	Plastic & Stainless steel hardware
Mounting	Stainless Steel U bracket & hardware	Stainless Steel U bracket & hardware	Aluminium U bracket	Aluminium U bracket

ORDER CODES

10W Weatherproof Plastic Horn 13421-42-DC

20W Weatherproof Plastic Horn 13421-43-DC

10W Weatherproof Plastic Projector 13421-73-DC

20W Weatherproof Plastic Projector 13421-74-DC

7.3: VIGILON VOICE ALARM SYSTEM

Loudspeakers

GENT

by Honeywell



Spherical Pendant Loudspeaker & Column Loudspeakers

TECHNICAL SPECIFICATION				
	Spherical Pendant Loudspeaker	20W Column Loudspeaker	40W Column Loudspeaker	80W Column Loudspeaker
Rated power, Watts	20	20	40	80
Transformer tapplings 100 volt line, Watts	20/ 10/ 5/ 2.5	20/10/5/2.5	40/ 20/ 10/ 5	80/40/20/10
Transformer Impedance , Ohms	500/ 1k/ 2k/ 4k	500/1k/2k/4k	250/ 500/ 1k/ 2k	125/250/500/1k
70.7 volt line, Watts	10/ 5/ 2.5/ 1.25	10/ 5/ 2.5/ 1.25	20/10/5/2.5	40/20/10/5
Driver impedance, Ohms	8	8	8	4
Effective frequency range, Hz	80 - 18,000	170-17000	170-18000	180-18000
S.P.L. @ 1m, 1 watt, dB, Test Signal Bandwidth 100Hz-10KHz	93	91	92	97
S.P.L. @ Full power, Octave Bandwidth, dB	107	104	108	115
Acoustic Power (dB – PWL@1 watt) 1 k/2kHz, dB	95/90	85/89	97/99	92/94
Dispersion at 1KHz/ 2KHz, Degrees	140/160(Vertical); 360/360(Horizontal)	180/140(Horizontal); 70/120(Vertical)	170/140(Horizontal); 60/55(Vertical)	180/140(Horizontal); 70/45(Vertical)
Directivity Q factor, 1KHz/2KHz	4.3/4.7	4.20/5.80	4.1/7.40	4.20/6.80
Dimensions, Diameter, mm	254	368 x 98 x 90	615 x 98 x 90	970 x 98 x 90
Approx. Weight, Kg	2.40	2.7	3.80	6
Colour / Finish	White	White RAL 9016	White RAL 9016	White RAL 9016
Material	ABS moulding with UV inhibitors	Aluminium	Aluminum	Aluminium
Mounting	Pendant hung	L Type Steel Bracket	L type Steel bracket	L type steel bracket
Ingress Protection			IP 55	

Spherical Pendant Loudspeaker

This modern styled spherical loudspeaker is a true omnidirectional device. It provides coverage angles of 360 degrees horizontally and 140~160 degrees vertically giving an even dispersion over the audio spectrum. The smooth frequency response, excellent dispersion and carefully controlled performance means that they are ideally suited for covering large open spaces such as warehouses, open plan retail complexes, concourses and factories, as well as being suitable for both speech and background music. The 13421-80-DC is supplied with a metal braided cable strong enough to carry ten times its own weight.

Metal Column Loudspeaker

The weather resistant metal column loudspeaker offers a combination of elegant styling, robust construction and high performance. The enclosure is tuned to give a wide frequency range not normally associated with column loudspeakers and as such produces high quality music and speech reproduction. Ideally suited for use in airports, churches, factories, sports and conference centres.

ORDER CODES

Spherical Pendant Loudspeaker 13421-80-DC

20W Metal Column Loudspeaker 13421-51-DC

40W Metal Column Loudspeaker 13421-52-DC

80W Metal Column Loudspeaker 13421-53-DC

GENT

by Honeywell

7.3: VIGILON VOICE ALARM SYSTEM

Specialist loudspeakers

Intellivox 4C Loudspeaker Array

The Intellivox-4c is a fully integrated digitally controlled loudspeaker array and has been serving a wide variety of applications since its introduction in 1996. It has proven to be a versatile and effective solution for vocal reinforcement within reverberant venues, offering excellent speech intelligibility even in demanding acoustical conditions. A single Intellivox-4c is capable of covering an area of up to 65m whilst maintaining an even sound pressure level. The seventeen, custom designed, 4" loudspeakers are driven by a sixteen channel class-D amplifier. The loudspeakers themselves are arranged in accordance with our patented algorithm. The increased lower frequency control offered by the array makes the Intellivox-4c suitable for easy and unobtrusive implementation in highly reverberant and architecturally sensitive environments.

The Intellivox units can be controlled using our proprietary WinControl software that offers user friendly control of the beam steering parameters, audio processing and surveillance features.

Intellivox 1B Loudspeaker Array

The Intellivox-1b is the smallest member of the Intellivox DDC range. Despite its modest dimensions, the Intellivox-1b still offers remarkably tight directivity control and is capable of covering an area of up to 15m whilst maintaining an even sound pressure over the audience area. The six, custom designed, 4" loudspeakers and two dome tweeters are driven by an eight channel class-D amplifier. Its compact array length makes the Intellivox-1b suitable for easy and unobtrusive implementation in even the most architecturally sensitive environment.

TECHNICAL SPECIFICATION		
	Intellivox 1c	Intellivox 4c
Frequency Range	130-20k Hz (+/- 3dB)	130-10k Hz (+/- 3dB)
Max SPL		
Continuous	92 dB A-weighted pink noise at 10m	91 dB A-weighted pink noise at 30m
Peak	96 dB at 10m	
Coverage		
Horizontal (Fixed)	150deg	150 deg
Vertical (adjustable)	15 to 40 deg	6 to 14 deg
Aiming Angle	-16 to 14 deg	-16 to 14 deg
Focus Distance	2 to 40m	5 to 100m
Typical Throw (may be increased with marginal losses)	15m	50m
Input		
Nominal level	0 dBu (line input)	0 dBu (line input)
Type	Transformer Balanced	Transformer Balanced
Impedance (balance)	6k8 (line input)	6k8 (line input)
Power Amps	8 x 40 Wrms (4), PWM (class D)	16 x 40 Wrms (4), PWM (class D)
Mains Voltage	230 or 115V (+5/-10%)	230 or 115V (+5/-10%)
Power Consumption	28 VA (idle) / 150 VA (full load)	84 VA (idle) / 750 VA (full load)
Operating Temperature	0 to +40°C	0 to +40°C
Transducers	6 x 4" full range, 2 x 10mm dome tweeter	17 x 4" full range
Dimensions (mm)	670h x 134w x 186d	4350h x 134w x 92d
Colour / Finish	RAL 9010 (white)	RAL 9010 (white)
Approx. Weight	16 Kg	46 Kg

ORDER CODES

Contact Gent for details

Inventive Intelligence from Gent!



The Power of Voice

Gent's newly developed Vigilon Compact Voice is a genuine first - the first combined fire detection and voice alarm system to feature loop-powered amplifiers, and as such the first to be viable on smaller applications. This highly innovative but low cost package is an affordable proposition even for premises and building areas requiring as few as ten loudspeakers, though it can have up to 100. Moreover, it even doubles as a public address System and can be connected to an external music source to enhance the environment with background music. Indeed, it could be seen as a combined fire and PA system that offers high quality voice alarm at no extra cost.

[See page 2 for more information.](#)

Four Devices in One

The new S-Quad sensor range is the most innovative solution to the detection and signalling of fires. Patented angle optical scatter smoke detection improves speed and integrity of detection. Combined with Vigilon's true analogue processing and the ability to sense the presence of Carbon Monoxide, the S-Quad delivers extra assurance in detecting fires and a reduction in unwanted alarms caused by dust and steam. This advanced sensing technology is coupled with an integral sounder with speech capability and strobe in the same device making S-Quad a truly unique fire detection and alarm device.

[See next issue of IntelliGent for more information.](#)

