

The Xenex panel complies fully with the European standard EN 54 Parts 2 & 4 and can be used on installations meeting BS 5839: Part 1.

Each panel contains its own integral power supply and battery support for up to eight alarm sounder circuits, two auxiliary relay contacts, a zone disablement facility and a one man test and commission facility, all simplifying system design, installation and commissioning.



Xenex Control Panel

Technical Specification *Note: Maximum of 1, 8 zone repeat panel per system.

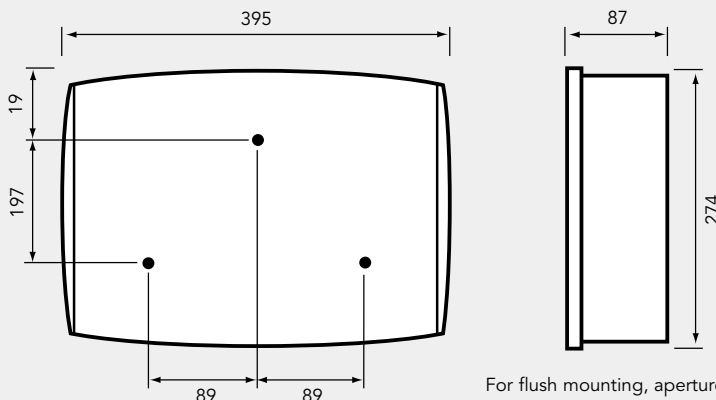
No. of Zones	1	2	4	8	*8 Zone Repeat
Maximum Load per Zone	3mA	3mA	3mA	3mA	N/A
No. of Sounder Circuits	2	2	4	8	N/A
Max. Sounder Circuit Load	500 mA per circuit, max 1A combined		500 mA per circuit, max 1.5A combined		N/A
Batteries	2 x 12V, 2.1 Ah			2 x 12V, 2.8 Ah	2 x 12V, 2.1 Ah
Battery Standby (Using Batteries specified above)	72 hours as standard (Max load 1mA per zone + 1.5A alarm load)				72 hours
Aux. Relay Contacts	1 N/O and 1 N/C pair, 1A at 24V				N/A
Packaged Weight	6.6 Kg	6.6 Kg	6.6 Kg	7.2 Kg	5.1 Kg
Relevant Standard	EN 54 Parts 2 & 4				
Approvals	LPCB				
Cable Entry	13 Top and 13 Rear				
Cable Type	BS 6387, 2 core, min 1.5mm ² CSA				
Class Change Facility	Via normally open push button switch located no more than 100m from panel				N/A
Ambient Temperature	Indoor, 0 - 40°C				

ORDER CODES

- 1 Zone 13270-01
- 2 Zone 13270-02
- 4 Zone 13270-04
- 8 Zone 13270-08
- Flush Surround 13270-29
- 8 Zone Repeat Panel 13271-08
- 2.1Ah 12V SLA Battery 4015-502
- 2.8Ah 12V SLA Battery 4015-509

Note: For maximum system loading table see page 2/19.

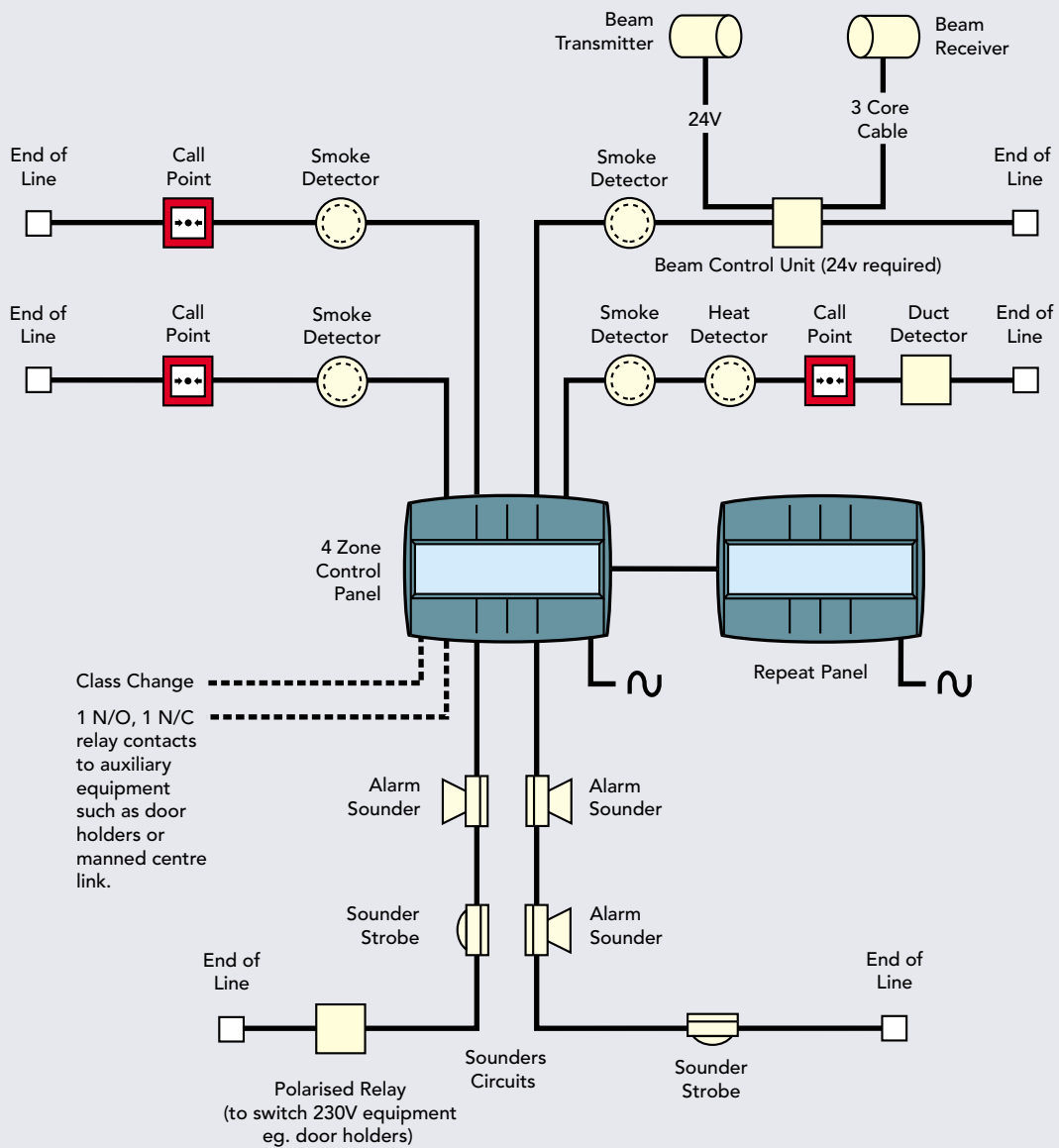
Dimensions of all panels (inc Repeat panel) (mm)



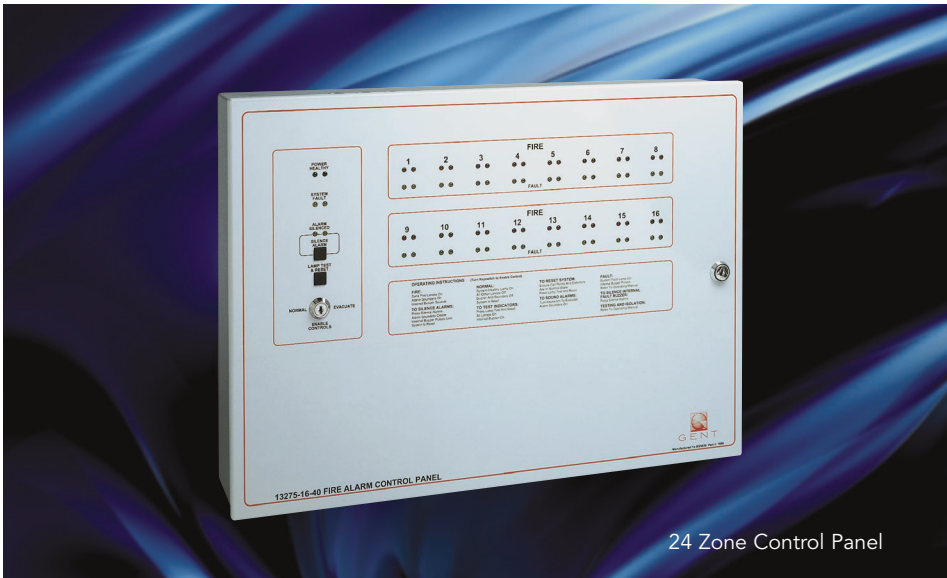
For flush mounting, aperture size 378mm x 245mm x 60mm

CONVENTIONAL FIRE DETECTION
 XENEX SYSTEM ARCHITECTURE

Note: This schematic is for guidance only please refer to product instructions during installation.



All cables are 2 core unless otherwise stated.



24 Zone Control Panel

For larger applications a 12,16 or 24 zone conventional panel is available together with complementary repeat panels. The panel complies with BS 5839 and includes facilities such as one man zone test, bomb alert and zoned or two stage alarm outputs as required.

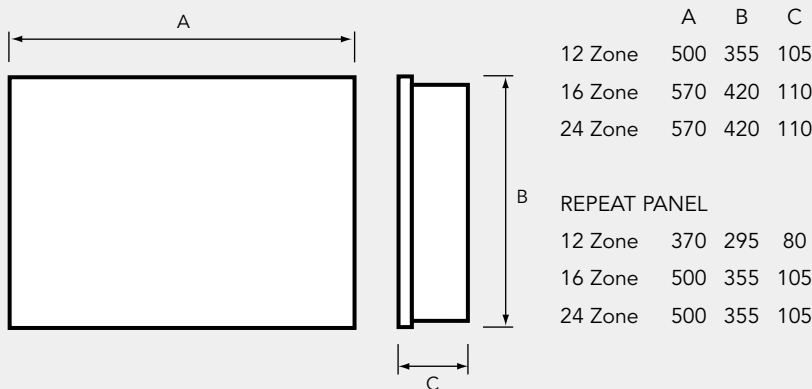
For larger panel sizes or flush mounting versions please contact Gent.

Technical Specification

No. of Zones	12	16	24
Maximum Load per Zone	1.6mA	1.6mA	0.8mA
No. of Sounder Circuits	2 (extra sounder circuits may be added using 4 way sounder cards)		
Max. Sounder Circuit Load	1A per circuit		
Batteries	2 x 7Ah,12V	2 x 7Ah,12V	2 x 12Ah,12V
Battery Standby	24 hours - For 48 hour or 72 hour requirements consult Gent		
Aux. Relay Contacts	Common fire contacts - Operates on fire condition		
All contacts rated at 30 Vd.c. 1A maximum	Zonal fire contacts - Per zone, operates on fire condition		
	Alarm contacts - Operates with alarm sounders		
	Fault contacts - Operates on any fault condition		
Approx. Weight	15kg	17kg	17.5kg
Relevant Standard	BS 5839 : Part 4 1988		
Cable Entry	Top and bottom		
Class Change Facility	Yes		

Note: If additional sounder circuits are required an extra power supply unit may be needed.

Dimensions (mm)



ORDER CODES

12 Zone	13275-12
16 Zone	13275-16
24 Zone	13275-24
REPEAT PANEL	
12 Zone	03276-12
16 Zone	03276-16
24 Zone	03276-24
4 Way Extension Sounder Card	03277-04

Manual call points are manufactured from ABS with plastic covered push break glasses for safe and simple operation. No hammer is required. For non-standard variations such as LED versions see page 2/17.

A polycarbonate cover version is available for applications susceptible to inadvertent operation, such as sports halls.


Note:

All manual call points can be flush mounted by using a flush fixing plate.



Manual Call Point

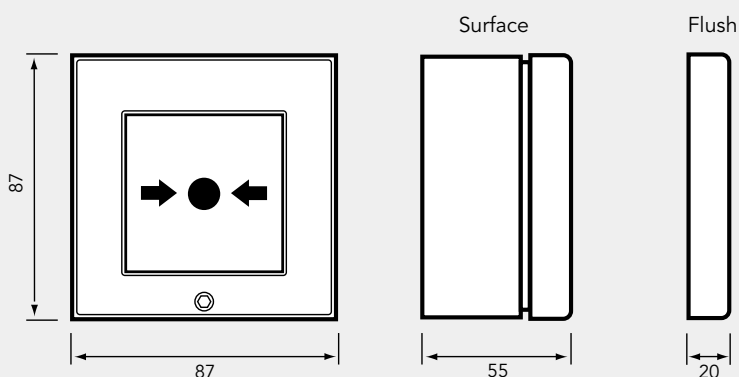
Technical Specification

Nominal Voltage	24V d.c.
Ingress Protection	IP54 with gasket
Approx. Weight	0.15 Kg
Ambient Temperature	0°C to 50°C
Relevant Standard	EN 54 Part 11
Approvals	 LPC Applied for

ORDER CODES

- Standard Call Point 14112-08EN
- Call Point with cover 14112-48EN
- Weather Resistant Gasket Kit 14112-19
- Pack of 10 Spare Glasses 14112-09EN
- Flush fixing plate 19289-01

Dimensions (mm)



SMOKE DETECTORS

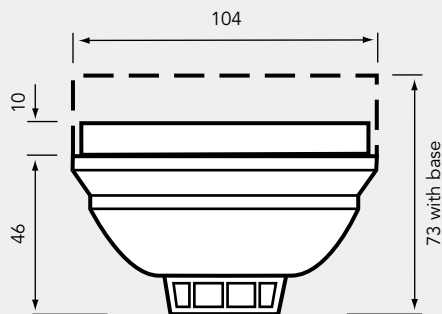


17830-01 Ionisation Detector

Technical Specification

Type	Ionisation	Optical
Nominal Voltage	9 - 24V d.c.	9 - 24V d.c.
Quiescent Current	15µA	60µA
Ingress Protection	IP30	IP30
Approx. Weight	0.11 Kg	0.11 Kg
Ambient Temperature	-20°C to +70°C	
Relevant Standards	EN 54 Part 7	
Approvals	LPCB approved	

Dimensions (mm)



SPECIAL FEATURE

The use of the diode base, allows monitoring of a removed detector to comply with BS 5839. N.B. Maximum of 20 per zone.



ORDER CODES

Ionisation	17830-01
Optical	17840-01
Common Base	17800-02
Common Base with Diode	17801-02
Base less Diode (surface cabling)	17800-01
Base with Diode (surface cabling)	17801-01
Remote LED module	17899-01
Remote relay module	17888-44

Heat detectors operate when a certain temperature is reached and are better suited to smokey, dusty or steamy environments than smoke detectors.

High fixed temperature devices are advised for kitchens or boiler rooms. Standard fixed temperature devices are suitable for areas where the temperature fluctuates for natural reasons or due to certain industrial processes.

ABS casing with red LED fire indicator.



17850-01 Heat Detector

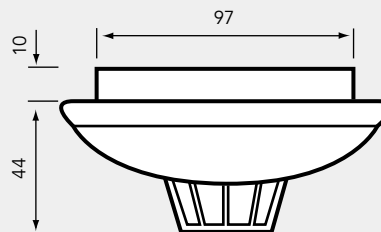
Technical Specification

Type	Fixed Temp.	Rate of Rise	High Fixed Temp.
Nominal Voltage	24V d.c.	24V d.c.	24V d.c.
Quiescent Current	30µA	30µA	30µA
Ingress Protection	IP30	IP30	IP30
Approx. Weight	0.07 Kg	0.07 Kg	0.07 Kg
Ambient Temperature	-20°C to 70°C		
Relevant Standards	EN 54 Part 5	EN 54 Part 5	EN 54 Part 8
Approvals	LPC	LPC	-
Trigger Temperature	58°C	NA (Factory preset 58°C)	85°C
Sensitivity	Grade 1	Grade 1	Grade 2

ORDER CODES

Fixed Temperature 17850-01
 Rate of Rise 17860-01
 High Fixed Temperature 17870-01

Dimensions (mm)



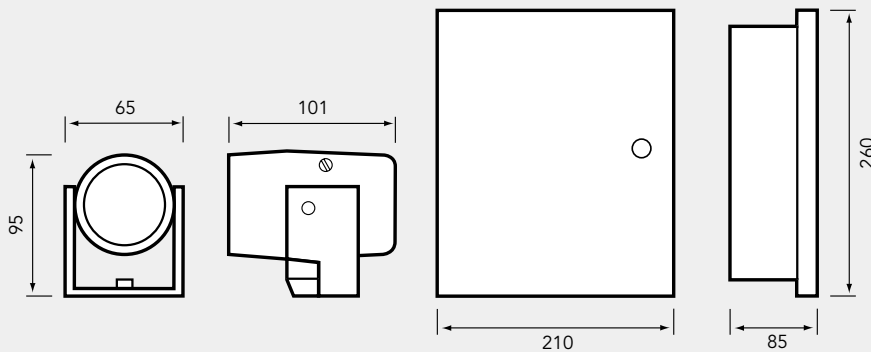


07011-41 Beam Detector

Technical Specification

Nominal Voltage	24V d.c.
Quiescent Current	Receiver: - 8mA
	Transmitter: - 5mA
Ingress Protection	IP 50
Approx. Packaged Weight	3.2 Kg
Ambient Temperature	-20°C to 55°C
Relevant Standards	BS 5839 Part 5
Beam Length	10m - 100m
Mounting Height	2.7m - 25m

Dimensions (mm)



ORDER CODES

Beam Detector

07011-41

The duct detector kit is comprised of a conventional detector and duct detector housing.

The duct detector is mounted on the outside of the air duct with the Venturi tube protruding through a hole into the duct. A sample of the air inside the duct is fed into the smoke detector via the Venturi tube and then returned to the duct through the Venturi tube.

When the smoke density in the sampled air reaches the trigger level of the smoke detector an alarm will be signalled on the fire alarm control panel.



17815-01 Duct Detector

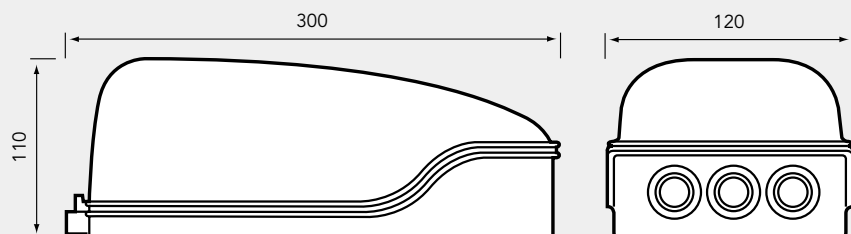
Technical Specification

Ingress Protection	IP54
Ambient Temperature	-10°C to +60°C
Approx. Weight	Approx 700 g
Finish	ABS plastic (Grey)
Air Velocity	1M/S to 20M/S
Quiescent Current	90µA

ORDER CODES

Duct Detector	17815-01
Venturi Tube, 2.8m	781458
Venturi Tube, 1.5m	781457
Venturi Tube, 0.6m	781456
Mounting Kit For round and installed air ducts.	781459
Remote Relay Module	17899-44

Dimensions (mm)





Technical Specification - 1.0 Sounders & Strobes

Type	Sounder	Sounder/Strobe	Strobe Only
Sound Output at 1m	See Tone Table	See Tone Table	N/A
Strobe Flash Rate	See Tone Table	See Tone Table	Variable
Strobe Output	N/A	Equivalent to a 3w Xenon Strobe	Equivalent to a 3w Xenon Strobe
Average Current	See Tone Table	See Tone Table	6 mA
Synchronisation	Sound & Strobe synchronisation better than $\pm 30\text{mS}$ over 20 minutes with all units powered from the same circuit		
Operating Voltage Range	10.8V – 28.8V	10.8V – 28.8V	10.8V – 28.8V
Maximum Reverse Monitoring Voltage	30V/20 μA	30V/20 μA	30V/20 μA
Ingress Protection	IP65C with the Deep Base IP31C with the Shallow Base		
Approx Weight	0.3Kg	0.3Kg	0.3Kg
Operating Temperature	-10°C to 50°C	-10°C to 50°C	-10°C to 50°C
Relevant Standards (Sounder only)	EN54: Pt 3	EN54: Pt 3	N/A
IR Control Operating Distance	3m	3m	N/A
Approvals	LPCB Applied for		

- Very low power consumption means more sounders and strobes per circuit
- The strobe option is equivalent to a standard 3w xenon strobe and uses 1/20th of the power
- 32 sounder tones are available
- Voice enhanced sounders are available in the range
- 4 voice phrases and a bell sound are available as standard
- All sound and strobe signals are synchronised to better than $\pm 30\text{mS}$ over 20 minutes
- Sounders are compatible with 12V and 24V systems
- A third wire option allows the selection of 2 alternative sounds. Ideal for class change applications
- Products incorporate innovative design features for which multiple patents are pending

The S-cubed range of alarm sounders incorporate sound, speech and strobe effects all in one range of alarm devices. The range offers all variants in the choice of 2 colours red or white with either a shallow base version sealed to IP31 or a deep base version sealed to IP65. All the low profile sounders have the option of an integral strobe.

As an aid to commissioning there is the option to use the HandiLink IR remote control to select sounder tones and adjust the volume remotely. This means physical access is not required to make this adjustment. This facility is only active when the sounders are turned on from the fire alarm panel.

Order Codes

IP31 Low Profile Sounders

C3-SN-ST-RR	Sounder/Strobe Red
C3-SN-ST-WR	Sounder/Strobe White
C3-SN-R	Sounder Red
C3-SN-W	Sounder White

IP65 Low Profile Sounders

C3IP-SN-ST-RR	Sounder/Strobe Red
C3IP-SN-ST-WR	Sounder/Strobe White
C3IP-SN-R	Sounder Red
C3IP-SN-W	Sounder White

IP65 Strobe only

C2IP-ST-RR	Strobe Red Body/ Red Lens
------------	------------------------------

Remote Control

S3-CONTROL	HandiLink IR Remote Control
------------	-----------------------------



BELLS

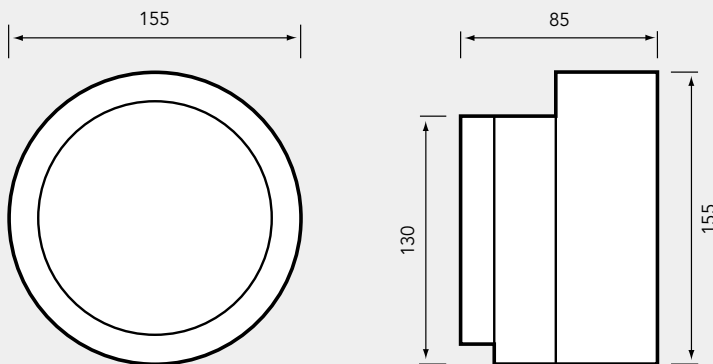


12141-04 Bell

Technical Specification

Type	24V d.c.	230V a.c.
Ingress Protection	Standard IP40	Standard IP41
	Special IP55	Special IP55
Approx. Weight	1.1 Kg	1.25 Kg
Ambient Temperature	Indoor, -10°C to 55°C	
Sound Output at 1m	93dBA	96dBA
Current at Nominal Voltage	30mA	30mA
Relevant Standard	EN 54 Part 3	

Dimensions (mm)



An electric bell for a wide range of uses.

Metal casing available in red or grey finish.

Suitable for semi flush or surface mounting.



Gent bell installed at the Djangology Arts Centre, Nottingham.

ORDER CODES

- 24V d.c. Bell, Red 12141-04
- 24V d.c. Bell, Red, IP55 12143-04
- 230V a.c. Bell, Red 12142-09
- 230V a.c. Bell, Red, IP55 12144-09
- 24V d.c. Bell, Grey 12141-54
- 230V a.c. Bell, Grey 12142-59
- 230V a.c. Bell, Grey IP55 12144-59

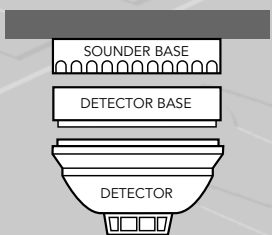
CONVENTIONAL FIRE DETECTION
ELECTRONIC SOUNDER

A versatile 24V electronic sounder for use in a wide range of applications.

Sound signals may be set in 3 ways; continuous, intermittent or warble.

SPECIAL FEATURE

'Squashni' sounders are useful for small rooms such as Halls of Residences. They may be used with a detector which reduces the number of fixing points or as a standalone sounder with a cover plate.



ORDER CODES

- Shallow Base (Red) 74451-24NM
- Deep Base (IP65 Red) 74452-24NM
- Bedhead Sounder (White) 02519-52
- Sounder Base 02601-31
- Shallow Base (White) 74451-55NM
- Deep Base (IP65 White) 74452-55NM

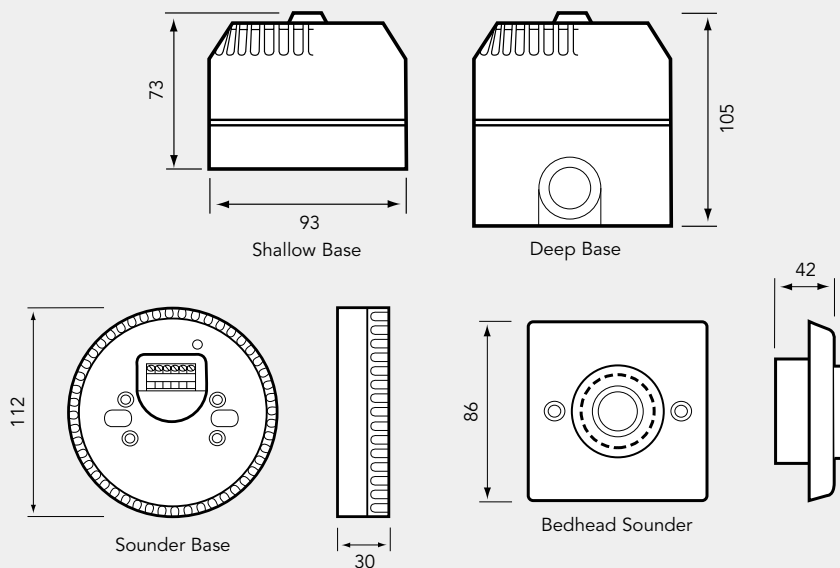


74451-24NM Shallow Base Sounder

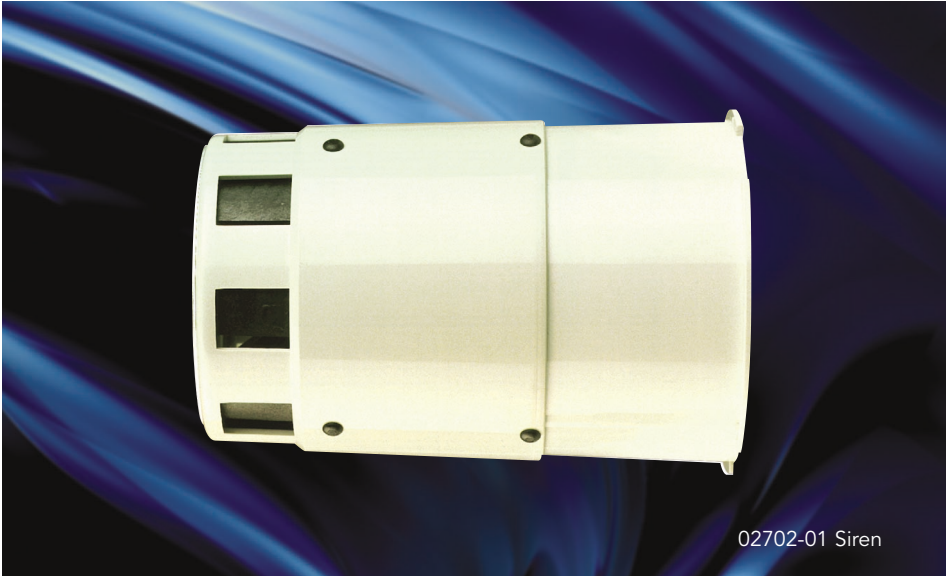
Technical Specification

Type	Shallow Base	Deep Base	Bedhead	Sounder Base
IP Rating	IP54	IP65	IP54	IP54
Approximate Weight	0.24kg	0.26kg	0.11kg	0.15kg
Operation	Continuous	Continuous	Continuous	Continuous
Operating Voltage Range	9 - 28V d.c.	9 - 28V d.c.	9 - 28V d.c.	9 - 28V d.c.
Typical Sound Output @ 1m, 12V d.c.	93dBA	93dBA	94dBA	87dBA
Typical Sound Output @ 1m, 24V d.c.	100dBA	100dBA	97dBA	93dBA
Current Consumption	8mA @ 12V, 18mA @24V			
IP Rating	IP54	IP65	IP54	IP54
Approximate Weight	0.29kg	0.31kg	0.11kg	0.15kg
Ambient Temperature	-25°C to +80°C		-40°C to +80°C	
Finish	ABS plastic			

Dimensions (mm)



SIREN



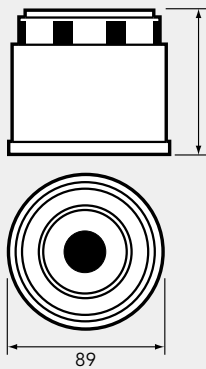
A range of electric motor driven sirens which are particularly well suited for noisy industrial environments. A weatherproof version is available for outdoor use.

Technical Specification

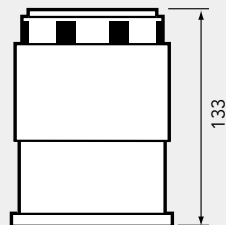
Type	230V a.c.	230V a.c. Weatherproof	24Vdc Siren
Ingress Protection	IP44	IP65	IP44
Approx. Weight	0.5 Kg	1.7 Kg	0.21 Kg
Sound Output at 1m	100dBA	120dBA	103dBA
Current Consumption	85mA	460mA	500mA
Output Frequency	1000Hz	1800Hz	1000Hz
Ambient Temperature	Indoor, -30°C to 80°C	Indoor/Outdoor, -30°C to 80°C	Indoor -30°C to 80°C
Relevant Standard	EN 54 Part 3		
Rating	Continuous		
Finish	High impact ABS (RAL 9002 grey)	Grey stove enamel	High Impact ABS (RAL 9002 grey)

Dimensions (mm)

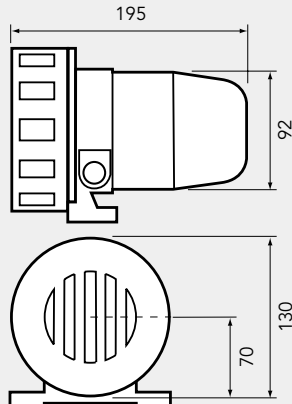
LOW VOLTAGE MODEL



MAINS VOLTAGE MODEL



WEATHERPROOF VERSION



ORDER CODES

230V a.c. Siren	02702-01
230V a.c. Siren Weatherproof	02701-01
24V d.c. Siren	02703-01

To close fire doors in an emergency and prevent the spread of fire and smoke.

Moulded ABS and steel enclosure capable of floor or wall mounting.

Complies with BS 5839: Part 3.



04390 Door Holder

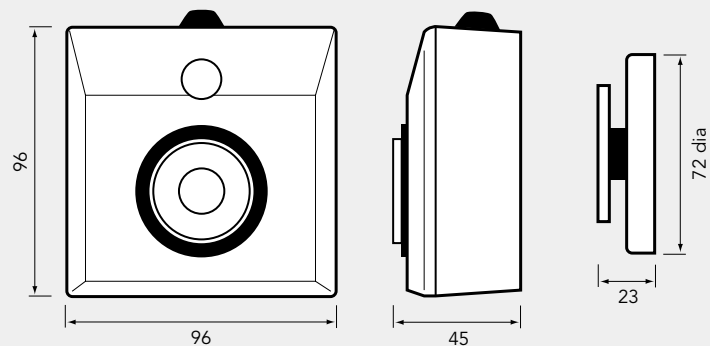
Technical Specification

Type	24V d.c.	230V a.c.
Approx. Weight	Door plate, 0.07 Kg	Door holder, 0.53 Kg
Current Consumption	22mA	17.5mA
Ambient Temperature	Indoor/Outdoor, -10° to + 50°C	
Nominal Magnetic Pull	11 Kgf	
Relevant Standard	BS 5839: Part 3	
Finish	Moulded ABS	

ORDER CODES

24V d.c. Door Holder c/w door plate	04390-31
230V a.c. Door Holder c/w door plate	04390-55
Door Holder Floor Plate	04390-92
24V d.c. Relay	19107-52

Dimensions (mm)



Key Box

A neat circular enclosure in which a key can be kept for use in emergencies. Particularly suitable for buildings where there is a need for unsupervised emergency exits to be kept locked. Accommodates keys up to 75mm long.

ORDER CODES

Key Box	08205 - 00
10 Spare Glasses (Plain)	4144 - 007
10 Spare Glasses (Printed)	4144 - 088



LED Call Point

Integral LED, illuminating when call point is operated for ease of identification.

ORDER CODES

Standard	14112 - 05
Surface c/w cover	14112 - 45



Key Operated Call Point

Preventing unauthorised operation for use in areas with a high risk of tampering or vandalism.

ORDER CODES

Standard	14115 - 08
----------	------------



General Purpose Call Point

For other emergency systems such as poolside drowning alarms or chemical spillage warnings.

ORDER CODES

Standard	14114 - 01
Surface c/w cover	14114 - 41



Spares

Test Keys - For testing call points without breaking the glass.

Weather Resistant Kit - Allowing a call point to be used externally, providing weather resistance to IP54

Semi-flush Spacing Kit - For part recessing call points.

ORDER CODES

Pack of 10 Test Keys	14112 - 10
Weather Resistant Kit	14112 - 19
Semi-Flush Spacing Kit	14112 - 20
Pack of Ten Spare Glasses	14112 - 09EN

